



Model DVO

Z-Flex Flexible Insulated Direct Vent System for Oil Burning Appliances

INSTALLATION AND MAINTENANCE INSTRUCTIONS

PRODUCT Flexible Insulated Direct Vent System for oil burning appliances

MANUFACTURER Z-Flex (US) Inc.
 20 Commerce Park North
 Bedford, New Hampshire 03110-6911 Telephone 603.669.5136
 Facsimile 603.669.0309 Toll Free 800.654.5600
 Email sales@z-flex.com

<u>COMPONENTS</u>	Part #	Description
	2OILVNT0305	Insulated Flex Vent pipe, 3" inner dia. - 5' long
	2OILVNT0310	Insulated Flex Vent pipe, 3" inner dia. - 10' long
	2OILVNT0315	Insulated Flex Vent pipe, 3" inner dia. - 15' long
	2OILVNT0320	Insulated Flex Vent pipe, 3" inner dia. - 20' long
	2OILVNT0405	Insulated Flex Vent pipe, 4" inner dia. - 5' long
	2OILVNT0410	Insulated Flex Vent pipe, 4" inner dia. - 10' long
	2OILVNT0415	Insulated Flex Vent pipe, 4" inner dia. - 15' long
	2OILVNT0420	Insulated Flex Vent pipe, 4" inner dia. - 20' long
	2OILCON03	Vent Adaptor, 3" to 3" Flex
	2OILCON43	Vent Adaptor, 4" to 3" Flex
	2OILCON43IP	Vent Adaptor, 4" to 3" Flex /w Inspection Port
	2OILCON53IP	Vent Adaptor, 5" to 3" Flex /w Inspection Port
	2OILCON04	Vent Adaptor, 4" to 4" Flex
	2OILCON04IP	Vent Adaptor, 4" to 4" Flex /w Inspection Port
	2OILCON54IP	Vent Adaptor, 5" to 4" Flex /w Inspection Port
	2OILCON64IP	Vent Adaptor, 6" to 4" Flex /w Inspection Port
	2OILCON74IP	Vent Adaptor, 7" to 4" Flex /w Inspection Port
	2OILTRM404	DVO Termination (Flex -L CFT-4), concentric, 4" exhaust, 4" intake
	2OILTRM604	Aerocowl Termination, concentric, 4" exhaust, 4" intake
	2OILTRM605	Aerocowl Termination, concentric, 5" exhaust, 4" intake
	2OILRISE04	Riser Terminal 36"
	1TLXXX0305	3" x 5' Air Intake Flex
	1TLXXX0310	3" x 10' Air Intake Flex
	1TLXXX0315	3" x 15' Air Intake Flex
	1TLXXX0320	3" x 20' Air Intake Flex
	1TLXXX0405	4" x 5' Air Intake Flex
	1TLXXX0410	4" x 10' Air Intake Flex
	1TLXXX0415	4" x 15' Air Intake Flex
	1TLXXX0420	4" x 20' Air Intake Flex
	4RA43	Adaptor, Reillo BF 3" to 4"
	4RA44	Adaptor, Beckett AF 4" to 4"
	7HS48XX	3" Clamp
	7HS72XX	4" Clamp
	4FCVRVX04	4" VRV, Vacuum Relief Valve / Tee
	2SILRRTV106X	Z-Flex RTV High Temp. Sealant 500F 3oz
	2SILRRTV106	Z-Flex RTV High Temp. Sealant 500F 10oz
	2SILUC	Permatex Ultracopper Sealant 700F 3oz
	2SILUC10	Permatex Ultracopper Sealant 700F 8.75oz

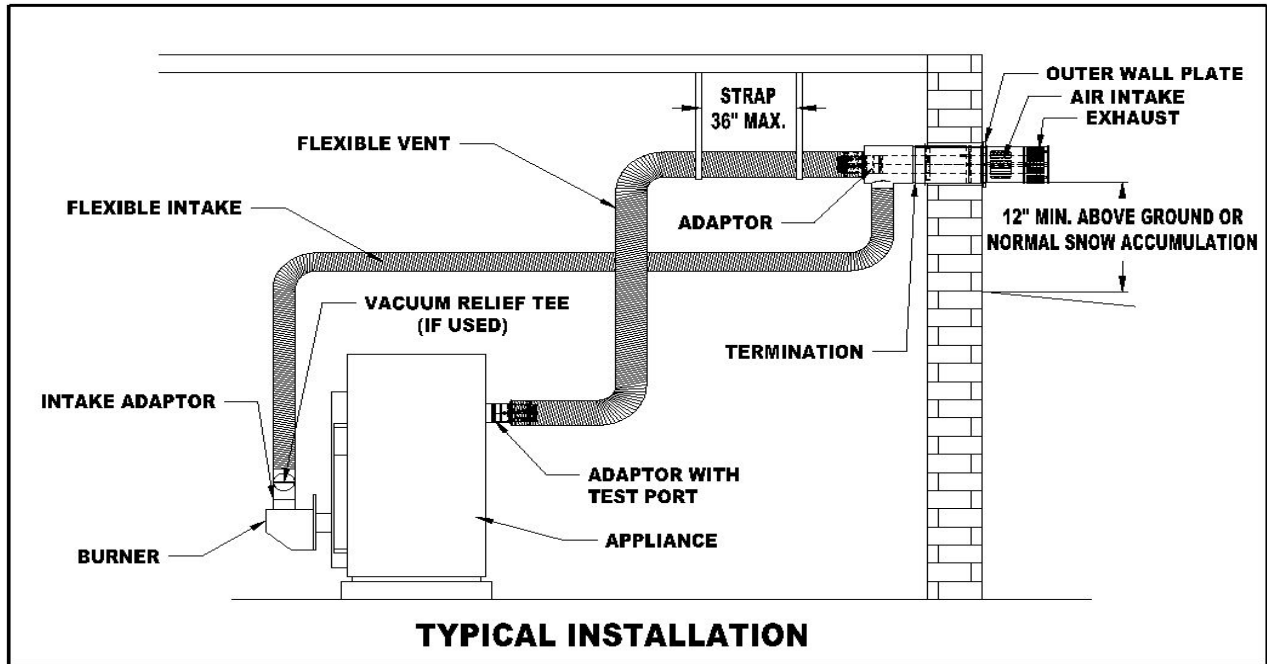
APPROVAL AND USE

Consult the appliance manufacturers' Installation Instructions for approval and guidelines concerning proper installation. Attention should be paid to the following:

1. Termination a. location b. clearance to combustibles
2. Vent Pipe a. minimum & maximum lengths b. clearance to combustibles c. slope

INSTALLATION NOTES

1. Vent pipe bend radius is 12"
2. Support vent pipe with metal strapping every 36"
3. Maximum wall thickness 14". Call Z-Flex for recommendations on thicker walls.
4. Kit or system may be based on the specific appliance.
5. System is not designed for common venting. Use for single appliance only.
6. Appliance adaptor test port is for combustion testing required by appliance manufacturer.
7. Follow National Codes for the installation of oil burning appliances. In USA – NFPA 31 In Canada CAN/CSA B139 and local regulations.

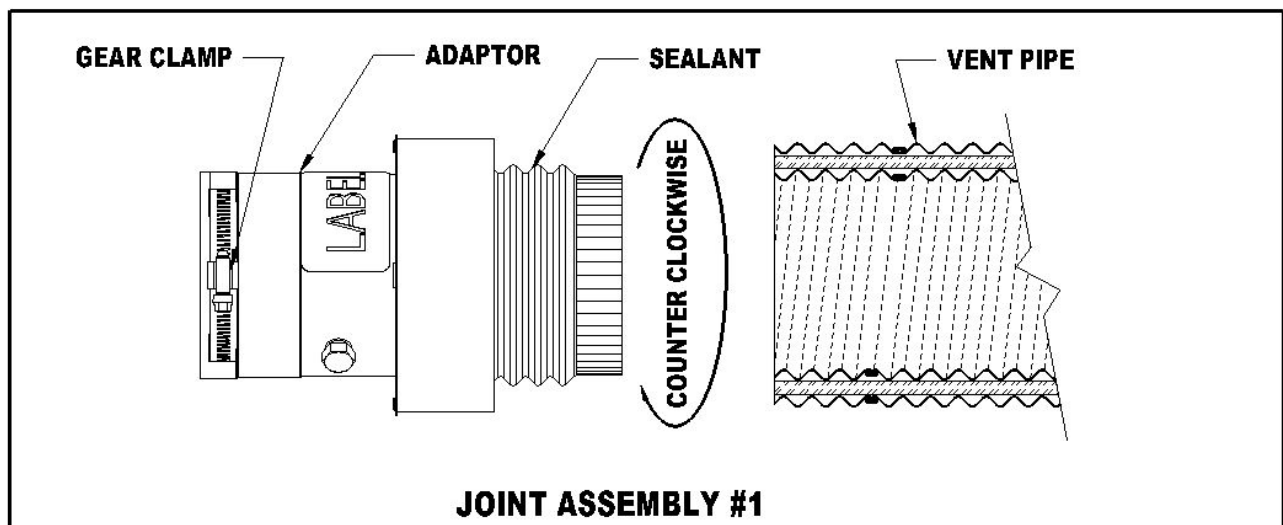


MAINTENANCE

Z-FLEX recommends that the entire heating system, including the appliance and venting system, be checked annually by a qualified heating professional.

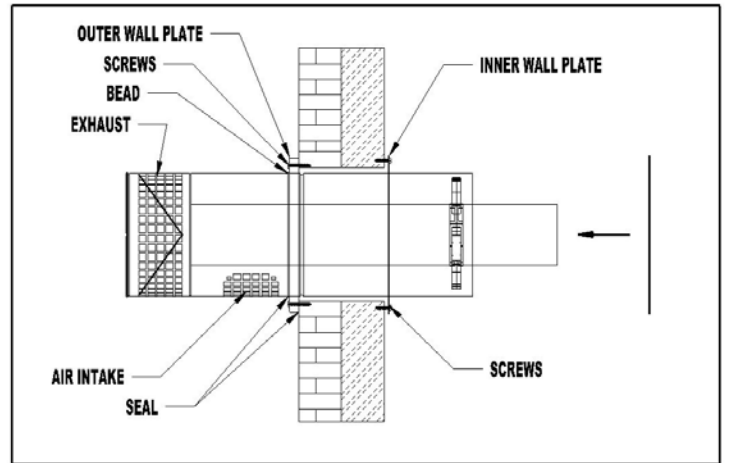
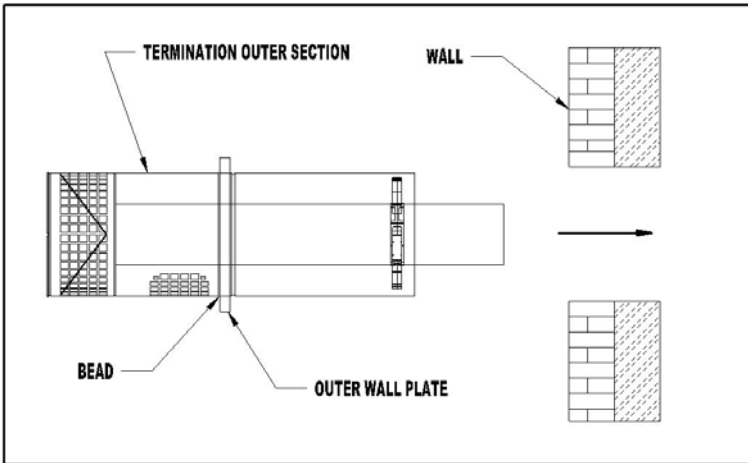
JOINT ASSEMBLY

1. Apply sealant to "threaded" end of vent adaptor.
2. Insert the threaded end in to the vent pipe. Screw the adaptor into the vent pipe in a counter clockwise direction. The adaptor should be inserted fully until it is tight. If it doesn't completely screw into the vent, unscrew and repeat.
3. If the vent needs to be cut to length, use a fine tooth hacksaw. Remove any burrs before installing adaptor.



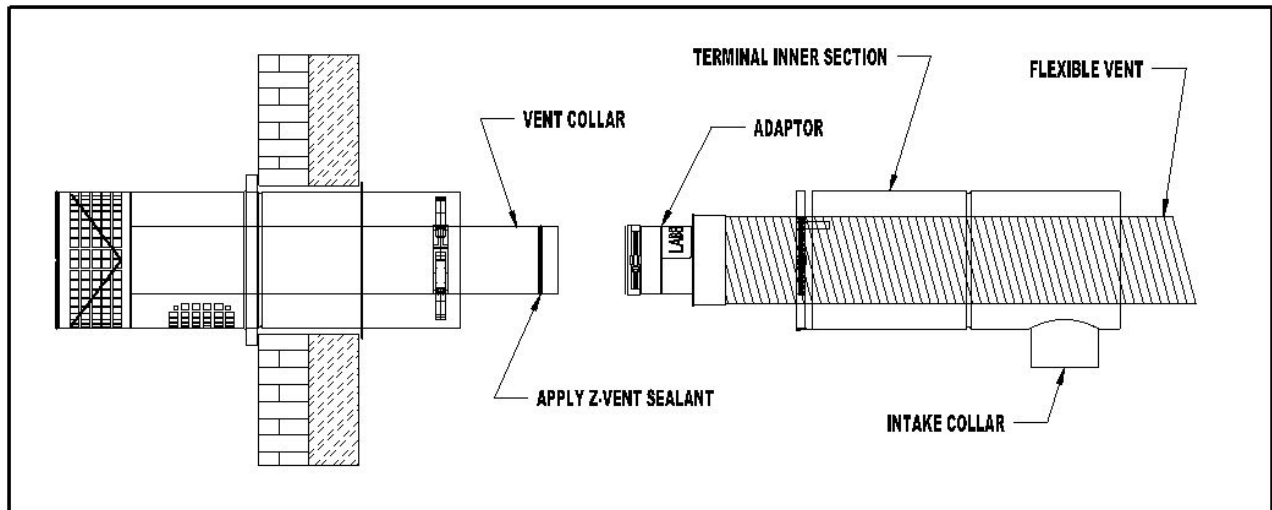
TERMINATION INSTALLATION

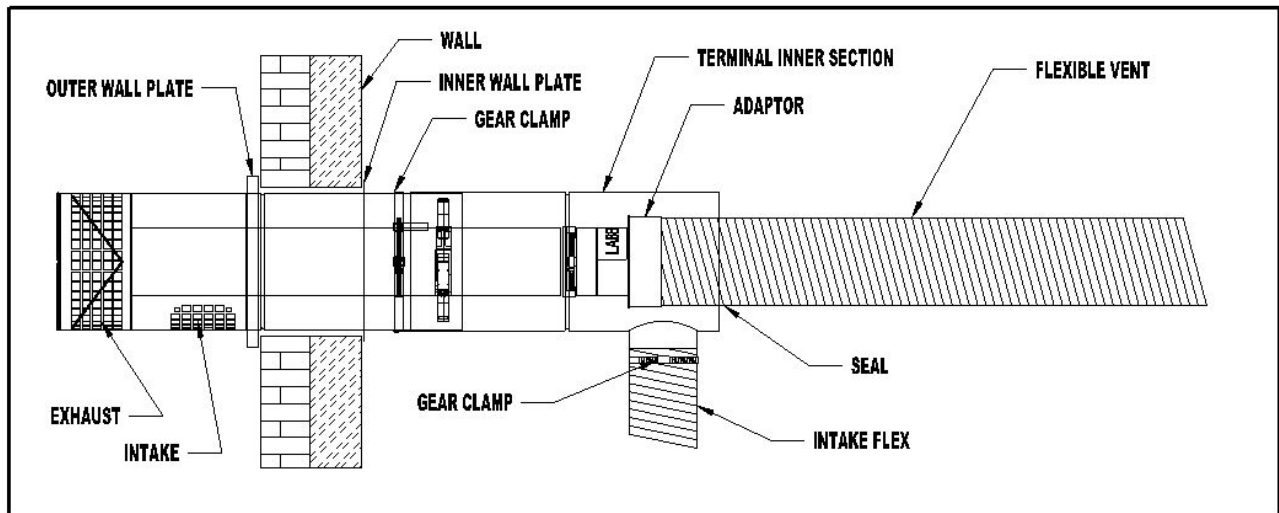
1. Determine location for termination.
2. Cut an 8½" hole through the wall.
3. Pull apart the inner and outer termination sections.
4. Slide the outer wall plate over the outer section of the termination until it rests against the bead.
5. From the outside the building, insert the outer section through the wall until it rests against the wall.
6. From the inside, slide the inner wall plate over the outer section and secure it to the wall with four (4) screws.
7. Position the outer section so that the seam on the flue collar is on the top and the air intake is on the bottom. Secure to the outer section by tightening the gear clamp around it.
8. Seal with a weather proof sealant around the the bead and edge of the outer wall plate to avoid water from entering.



TERMINATION CONNECTION

1. Slide the inner section over the vent pipe.
2. Attach the adaptor as per joint assembly.
3. Apply a bead of sealant around the flue collar and slide on adaptor and tighten gear clamp.
4. Seal the seam on the adaptor.
5. Slide the inner section over the outer section and secure by tightening the gear clamp.
6. Stretch the intake flex to the desired length and slide over intake collar and secure by tightening the gear clamp.
7. Seal the gap between the vent pipe and the inner section with silicone sealant.





APPLIANCE CONNECTION

1. Connect the appliance adaptor to the appliance collar as per joint assembly.
2. Apply sealant around the appliance flue collar.
3. Slide the appliance adaptor over the flue collar.
4. Tighten the gear clamp around collar.
5. Install the burner air adaptor. Tighten integral clamp.
6. Put the gear clamp over the intake flex and slide flex over large end of adaptor. Tighten clamp.
7. A vacuum relief device may be required as per appliance manufacturers' installation instructions.

